

**ORDINANCE NO. 2146-08**  
**by the Plan Commission**

AN ORDINANCE AMENDING SECTION 12.04.030 G. OF THE MUNICIPAL CODE  
BY AMENDING THE OFFICIAL MAP BY ADJUSTING ALIGNMENT  
AND REMOVING A PORTION OF FUTURE OAK GROVE ROAD

WHEREAS, Oak Grove Road was officially mapped and amended via Resolutions No. 4686 and 4983 in 1991 and 1992. The road extends from North Avenue to Gebhardt Road in a curvilinear fashion generally parallel to the common property line between the Civic Center and Brookfield Central High School. Contemporary circumstances have given staff cause to recommend that the alignment or a portion of the road be amended and another segment removed from the Official Map; and

WHEREAS, the revised plan and method of operation for Brookfield Central High School includes removal of an existing storage building along their west property line and an improved extension of the school's northwest driveway to Civic Drive, providing the anticipated north/south connectivity that was envisioned by future Oak Grove Road without duplication of pavement; and

WHEREAS, the new alignment and access point with North Avenue between Brook Springs Drive and Hillsdale Drive West is consistent with the road access management guidance of Waukesha County; and

WHEREAS, on July 7, 2008 the City of Brookfield Plan Commission recommended scheduling of an Official Map amendment public hearing regarding the adjustment; and

WHEREAS, the notice of public hearing before the Common Council of the City of Brookfield concerning a proposal to amend the Official Map by adjusting a portion of the alignment of Oak Grove Road north of Civic Drive and removing from the Official Map that portion of Oak Grove Road south of Civic Drive was published as a Class 2 notice under Chapter 985 of the Wisconsin Statutes on July 31 and August 7, 2008; and

WHEREAS, said public hearing was held on August 19, 2008, pursuant to Section 62.23 (6) (c) of the Wisconsin Statutes and Section 12.04.030 of the City of Brookfield Municipal Code; and

WHEREAS, on September 11, 2008 the City of Brookfield Plan Commission recommended approval of the Official Map amendment.

NOW, THEREFORE, the Common Council of the City of Brookfield do ordain the following:

PART I. Section 12.04.030 G. is hereby amended to read as follows:

G. Amend the Official Map by adjusting a portion of the alignment of future Oak Grove Road north of Civic Drive to that of a straight road (north to south alignment) connecting with

North Avenue at a point located 120 feet plus or minus east of Brook Springs Drive. Also, removal from the Official Map that portion of future Oak Grove Road located south of Civic Drive and extending to Gebhardt Road.

PART II. The lands to be added to and removed from the Official Map are described and depicted in Exhibits A\*, A-1\*, B\*, B-1\*, C\*, C-1\*, D\*, and D-1\*.

PART III. All ordinances and parts of ordinances contravening the provisions of this ordinance are hereby repealed.

ADOPTED AND APPROVED \_\_\_\_\_ September 16 \_\_\_\_\_, 2008

\_\_\_\_\_  
Kristine A. Schmidt, City Clerk

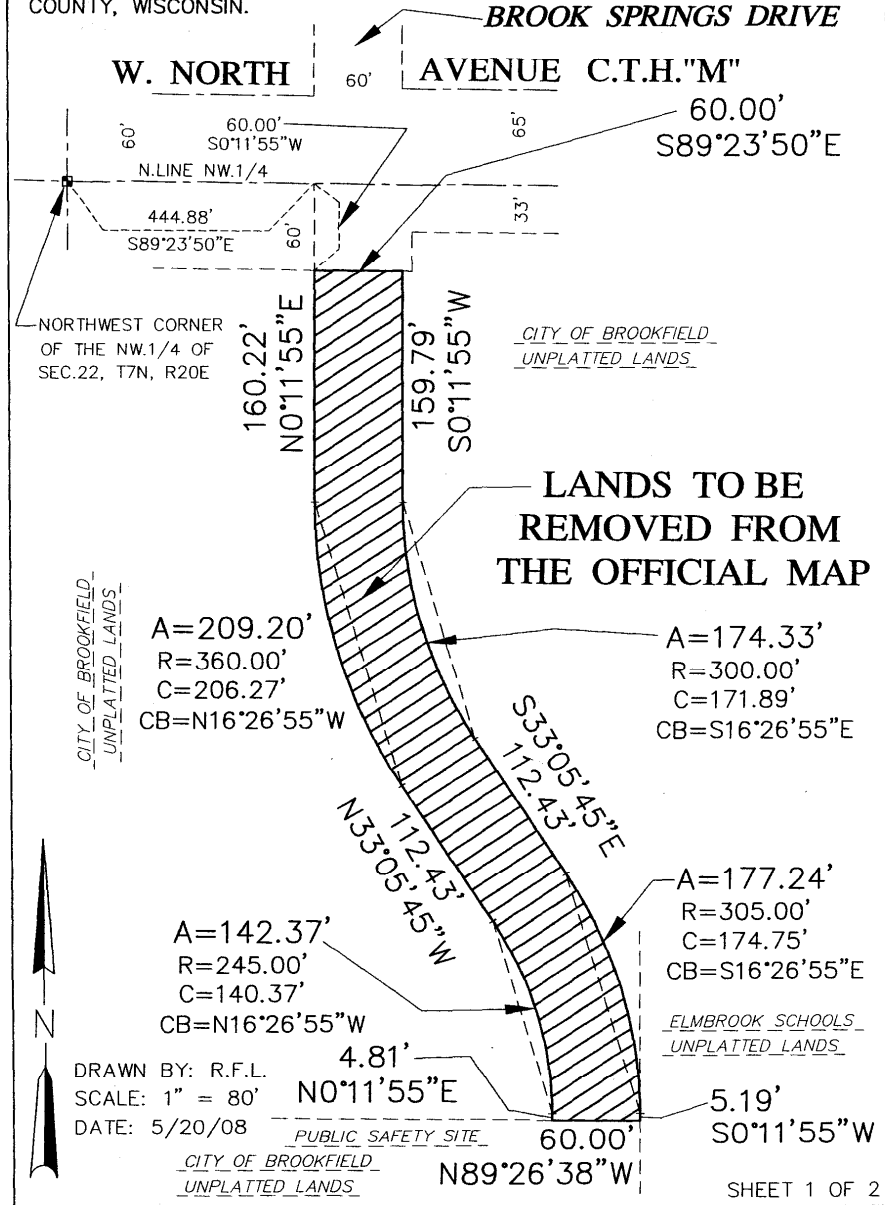
\_\_\_\_\_  
Jeff R. Speaker, Mayor

\* Can be viewed in the City Clerk's Office.

Published: September 25, 2008

# CITY OF BROOKFIELD AMENDMENT TO REMOVE LANDS FROM THE OFFICIAL MAP

LOCATED IN THE NORTHWEST 1/4 OF THE NORTHWEST 1/4 OF SECTION 22,  
TOWN 7 NORTH, RANGE 20 EAST, IN THE CITY OF BROOKFIELD, WAUKESHA  
COUNTY, WISCONSIN.



J:\EXHIBITS\dwg\OAK\_GROVE\_RD\_AMEND.DWG

# CITY OF BROOKFIELD

## AMENDMENT TO REMOVE LANDS FROM THE OFFICIAL MAP

LOCATED IN THE NORTHWEST 1/4 OF THE NORTHWEST 1/4 OF SECTION 22,  
TOWN 7 NORTH, RANGE 20 EAST, IN THE CITY OF BROOKFIELD, WAUKESHA  
COUNTY, WISCONSIN.

### LEGAL DESCRIPTION:

THAT PART OF THE NORTHWEST 1/4 OF THE NORTHWEST 1/4 OF SECTION 22, TOWN 7 NORTH, RANGE 20 EAST IN THE CITY OF BROOKFIELD, WAUKESHA COUNTY, WISCONSIN, BOUNDED AND DESCRIBED AS FOLLOWS:

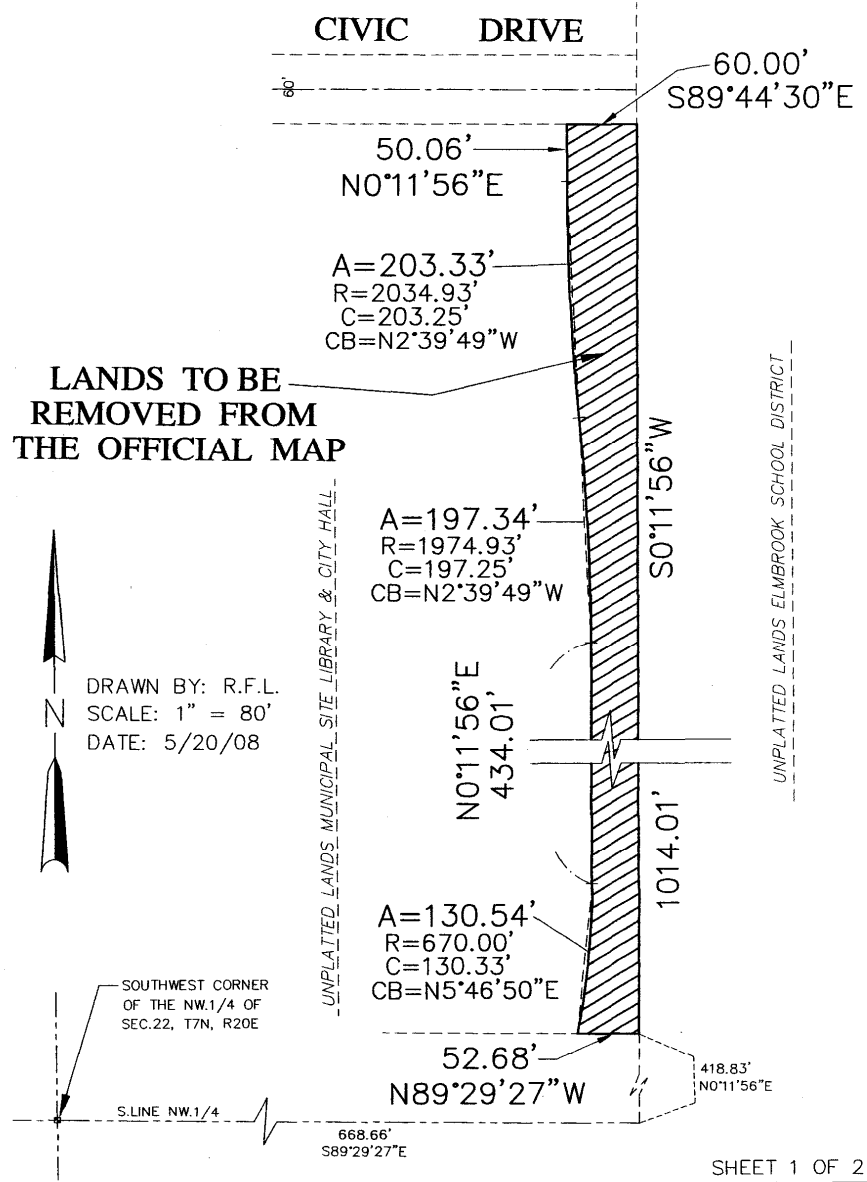
COMMENCING AT THE NORTHWEST CORNER OF THE NORTHWEST 1/4 OF SAID SECTION 22; THENCE SOUTH 89°23'50" EAST ALONG THE NORTH LINE OF THE NORTHWEST 1/4 OF SAID SECTION 22, A DISTANCE OF 444.88 FEET TO A POINT; THENCE SOUTH 00°11'50" WEST 60.00 FEET TO A POINT ON THE SOUTH LINE OF WEST NORTH AVENUE, A PUBLIC STREET OF RECORD, (A.K.A.) COUNTY TRUNK HIGHWAY "M" AND THE POINT OF BEGINNING OF LANDS TO BE DESCRIBED; THENCE SOUTH 89°23'50" EAST ALONG THE SOUTH LINE OF SAID WEST NORTH AVENUE 60.00 FEET TO A POINT; THENCE SOUTH 00°11'50" WEST 159.79 FEET TO A POINT; THENCE SOUTHEASTERLY 174.33 FEET ALONG THE ARC OF A CURVE WHOSE CENTER LIES TO THE EAST, WHOSE RADIUS IS 300.00 FEET AND WHOSE CHORD BEARS SOUTH 16°26'55" EAST 171.89 FEET TO A POINT; THENCE SOUTH 33°05'45" EAST 112.43 FEET TO A POINT; THENCE SOUTHEASTERLY 177.24 FEET ALONG THE ARC OF A CURVE WHOSE CENTER LIES TO THE WEST, WHOSE RADIUS IS 305.00 FEET AND WHOSE CHORD BEARS SOUTH 16°26'55" EAST 174.75 FEET TO A POINT ON THE WEST LINE OF ELMBROOK SCHOOL DISTRICT LANDS; THENCE SOUTH 00°11'55" WEST ALONG THE WEST LINE OF THE ELMBROOK SCHOOL DISTRICT LANDS 5.19 FEET TO A POINT; THENCE NORTH 89°26'38" WEST 60.00 FEET TO A POINT; THENCE NORTH 00°11'55" EAST 4.81 FEET TO A POINT; THENCE NORTHWESTERLY 142.37 FEET ALONG THE ARC OF A CURVE WHOSE CENTER LIES TO THE WEST, WHOSE RADIUS IS 245.00 FEET AND WHOSE CHORD BEARS NORTH 16°26'55" WEST 140.37 FEET TO A POINT; THENCE NORTH 33°05'45" WEST 112.43 FEET TO A POINT; THENCE NORTHWESTERLY 209.20 FEET ALONG THE ARC OF A CURVE WHOSE CENTER LIES TO THE EAST, WHOSE RADIUS IS 360.00 FEET AND WHOSE CHORD BEARS NORTH 16°26'55" WEST 206.27 FEET TO A POINT; THENCE NORTH 00°11'55" EAST 160.22 FEET TO THE POINT OF BEGINNING.

DATE: 5/20/08

SHEET 2 OF 2

# CITY OF BROOKFIELD AMENDMENT TO REMOVE LANDS FROM THE OFFICIAL MAP

LOCATED IN THE WEST 1/2 OF THE NORTHWEST 1/4 OF SECTION 22,  
TOWN 7 NORTH, RANGE 20 EAST, IN THE CITY OF BROOKFIELD, WAUKESHA  
COUNTY, WISCONSIN.



# CITY OF BROOKFIELD

## AMENDMENT TO REMOVE LANDS FROM THE OFFICIAL MAP

LOCATED IN THE WEST 1/2 OF THE NORTHWEST 1/4 OF SECTION 22,  
TOWN 7 NORTH, RANGE 20 EAST, IN THE CITY OF BROOKFIELD, WAUKESHA  
COUNTY, WISCONSIN.

**LEGAL DESCRIPTION :**

THAT PART OF THE WEST 1/2 OF THE NORTHWEST 1/4 OF SECTION 22, TOWN 7 NORTH, RANGE 20 EAST IN THE CITY OF BROOKFIELD, WAUKESHA COUNTY, WISCONSIN, BOUNDED AND DESCRIBED AS FOLLOWS:  
COMMENCING AT THE SOUTHWEST CORNER OF THE NORTHWEST 1/4 OF SAID SECTION 22; THENCE SOUTH 89°29'27" EAST ALONG THE SOUTH LINE OF THE NORTHWEST 1/4 OF SAID SECTION 22 A DISTANCE OF 668.66 FEET TO A POINT OF INTERSECTION WITH THE SOUTHERLY EXTENSION OF THE WEST PROPERTY LINE OF THE ELMBROOK SCHOOL DISTRICT; THENCE NORTH 00°11'56" EAST ALONG THE SAID WEST PROPERTY LINE 418.83 FEET TO THE POINT OF BEGINNING OF LANDS TO BE DESCRIBED; THENCE NORTH 89°29'27" WEST 52.68 FEET TO A POINT; THENCE NORTHEASTERLY 130.54 FEET ALONG THE ARC OF A CURVE WHOSE CENTER LIES TO THE WEST, WHOSE RADIUS IS 670.00 FEET AND WHOSE CHORD BEARS NORTH 5°46'50" EAST 130.33 FEET TO A POINT; THENCE NORTH 0°11'56" EAST 434.01 FEET TO A POINT; THENCE NORTHWESTERLY 197.34 FEET ALONG THE ARC OF A CURVE WHOSE CENTER LIES TO THE WEST, WHOSE RADIUS IS 1,974.93 FEET AND WHOSE CHORD BEARS NORTH 2°39'49" WEST 197.25 FEET TO A POINT; THENCE CONTINUING NORTHWESTERLY 203.33 FEET ALONG THE ARC OF A CURVE WHOSE CENTER LIES TO THE EAST, WHOSE RADIUS IS 2,034.93 FEET AND WHOSE CHORD BEARS NORTH 2°39'49" WEST 203.25 FEET TO A POINT; THENCE NORTH 0°11'56" EAST 50.06 FEET TO A POINT ON THE SOUTH LINE OF CIVIC DRIVE, A PUBLIC STREET OF RECORD; THENCE SOUTH 89°44'30" EAST ALONG THE SOUTH LINE OF SAID CIVIC DRIVE 60.00 FEET TO A POINT ON THE WEST PROPERTY LINE OF THE ELMBROOK SCHOOL DISTRICT; THENCE SOUTH 0°11'56" WEST ALONG THE WEST PROPERTY LINE OF THE ELMBROOK SCHOOL DISTRICT 1014.01 FEET TO THE POINT OF BEGINNING.

DATE: 5/20/08

SHEET 2 OF 2

# CITY OF BROOKFIELD AMENDMENT TO REMOVE LANDS FROM THE OFFICIAL MAP

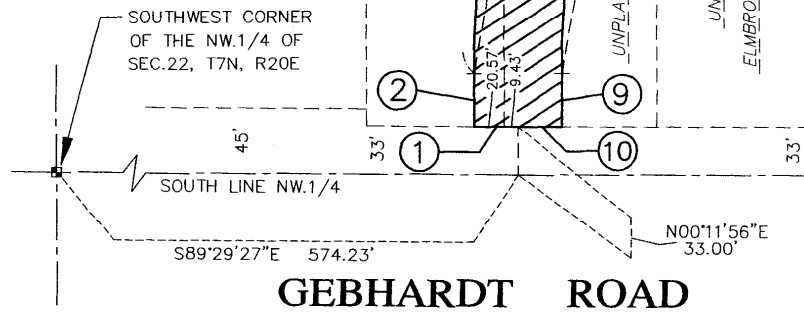
LOCATED IN THE SOUTHWEST 1/4 OF THE NORTHWEST 1/4 OF SECTION 22,  
TOWN 7 NORTH, RANGE 20 EAST, IN THE CITY OF BROOKFIELD, WAUKESHA  
COUNTY, WISCONSIN.

- |   |                        |
|---|------------------------|
| ① — 30.00' N89°29'27"W                                    | ⑨ — 36.65' S00°11'56"W |
| ② — 36.33' N00°11'56"E                                    | ⑩ — 30.00' N89°29'27"W |
| ③A — A=174.60' R=730.00'<br>C=174.18' CB=N7°03'03"E       |                        |
| ③B — A=80.22' R=730.00'<br>C=80.18' CB=N7°03'03"E         |                        |
| ③ — A=254.82' R=730.00'<br>C=253.53' CB=N10°11'56"E       |                        |
| ④ — A=103.34' R=670.00'<br>C=103.23' CB=N15°46'50"E       |                        |
| ⑤ — 52.68' S89°29'27"E                                    |                        |
| ⑥ — 39.71' S00°11'56"E                                    |                        |
| ⑦ — A=83.54'<br>R=730.00'<br>C=83.50'<br>CB=S16°55'13"W   |                        |
| ⑧ — A=233.87'<br>R=670.00'<br>C=232.69'<br>CB=S10°11'56"W |                        |

DRAWN BY: R.F.L.  
SCALE: 1" = 80'  
DATE: 5/20/08



**LANDS TO BE  
REMOVED FROM  
THE OFFICIAL MAP**



# CITY OF BROOKFIELD

## AMENDMENT TO REMOVE LANDS FROM THE OFFICIAL MAP

LOCATED IN THE SOUTHWEST 1/4 OF THE NORTHWEST 1/4 OF SECTION 22,  
TOWN 7 NORTH, RANGE 20 EAST, IN THE CITY OF BROOKFIELD, WAUKESHA  
COUNTY, WISCONSIN.

### LEGAL DESCRIPTION :

ALL THAT PART OF THE SOUTHWEST 1/4 OF THE NORTHWEST 1/4 OF SECTION 22, TOWN 7 NORTH, RANGE 20 EAST, IN THE CITY OF BROOKFIELD, WAUKESHA COUNTY, WISCONSIN BOUNDED AND DESCRIBED AS FOLLOWS: COMMENCEING AT THE SOUTHWEST CORNER OF THE NORTHWEST 1/4 OF SAID SECTION 22; THENCE SOUTH 89°29'27" EAST ALONG THE SOUTH LINE OF THE NORTHWEST 1/4 OF SAID SECTION 22 A DISTANCE OF 574.23 FEET TO A POINT; THENCE NORTH 0°11'56" EAST 33.00 FEET TO A POINT ON THE NORTH LINE OF GEBHARDT ROAD, A PUBLIC STREET OF RECORD, AND THE POINT OF BEGINNING OF LANDS TO BE DESCRIBED; THENCE NORTH 89°29'27" WEST ALONG THE NORTH LINE OF SAID GEBHARDT ROAD 30.00 FEET TO A POINT; THENCE NORTH 0°11'56" EAST 36.33 FEET TO A POINT; THENCE NORTHEASTERLY 254.82 FEET ALONG THE ARC OF A CURVE WHOSE CENTER LIES TO THE EAST, WHOSE RADIUS IS 730.00 FEET AND WHOSE CHORD BEARS NORTH 10°11'56" EAST 253.53 FEET TO A POINT; THENCE NORTHEASTERLY 103.34 FEET ALONG THE ARC OF A CURVE WHOSE CENTER LIES TO THE WEST, WHOSE RADIUS IS 670.00 FEET AND WHOSE CHORD BEARS NORTH 15°46'50" EAST 103.23 FEET TO A POINT; THENCE SOUTH 89°29'27" EAST 52.68 FEET TO A POINT; THENCE SOUTH 00°11'56" EAST 39.71 FEET TO A POINT; THENCE SOUTHWESTERLY 83.54 FEET ALONG THE ARC OF A CURVE WHOSE CENTER LIES TO THE WEST, WHOSE RADIUS IS 730.00 FEET AND WHOSE CHORD BEARS SOUTH 16°55'13" WEST 83.50 FEET TO A POINT; THENCE SOUTHWESTERLY 233.87 FEET ALONG THE ARC OF A CURVE WHOSE CENTER LIES TO THE EAST, WHOSE RADIUS IS 670.00 FEET AND WHOSE CHORD BEARS SOUTH 10°11'56" WEST 232.69 FEET TO A POINT; THENCE SOUTH 00°11'56" WEST 36.65 FEET TO A POINT ON THE NORTH LINE OF SAID GEBHARDT ROAD; THENCE NORTH 89°29'27" WEST ALONG THE SAID NORTH LINE 30.00 FEET TO THE POINT OF BEGINNING.

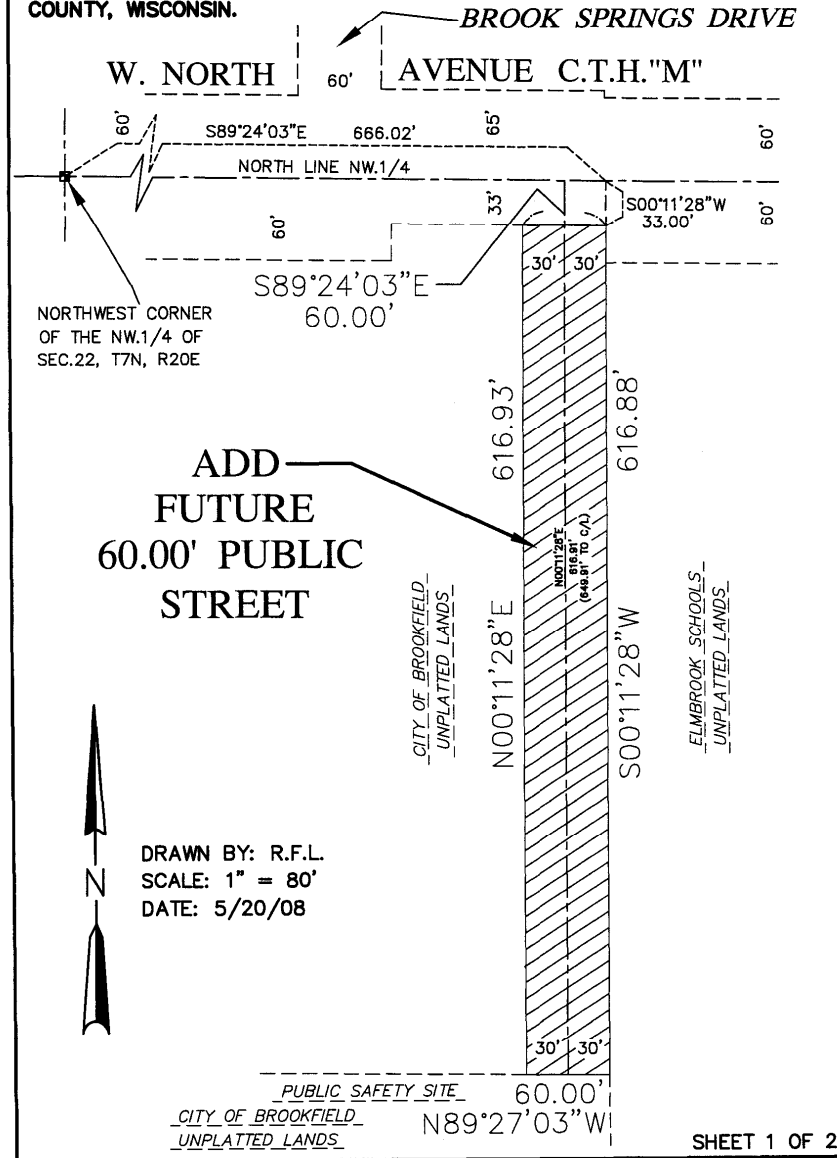
DATE: 5/20/08

SHEET 2 OF 2



# CITY OF BROOKFIELD EXHIBIT "D"

AMENDMENT TO THE OFFICIAL MAP  
LOCATED IN THE NORTHWEST 1/4 OF THE NORTHWEST 1/4 OF SECTION 22,  
TOWN 7 NORTH, RANGE 20 EAST, IN THE CITY OF BROOKFIELD, WAUKESHA  
COUNTY, WISCONSIN.



# CITY OF BROOKFIELD EXHIBIT "D-1"

## AMENDMENT TO THE OFFICIAL MAP

**LOCATED IN THE NORTHWEST 1/4 OF THE NORTHWEST 1/4 OF SECTION 22,  
TOWN 7 NORTH, RANGE 20 EAST, IN THE CITY OF BROOKFIELD, WAUKESHA  
COUNTY, WISCONSIN.**

### LEGAL DESCRIPTION :

THAT PART OF THE NORTHWEST 1/4 OF THE NORTHWEST 1/4 OF SECTION 22, TOWN 7 NORTH, RANGE 20 EAST, IN THE CITY OF BROOKFIELD, WAUKESHA COUNTY, WISCONSIN BOUNDED AND DESCRIBED AS FOLLOWS:

COMMENCING AT THE NORTHWEST CORNER OF THE NORTHWEST 1/4 OF SAID SECTION 22; THENCE SOUTH 89°24'03" EAST ALONG THE NORTH LINE OF THE NORTHWEST 1/4 OF SAID SECTION 22 A DISTANCE OF 666.02 FEET TO A POINT OF INTERSECTION WITH THE NORTHERLY EXTENSION OF THE WEST LINE OF THE ELMBROOK SCHOOL DISTRICT PROPERTY LINE; THENCE SOUTH 0°11'28" WEST ALONG THE SAID WEST LINE EXTENSION 33.00 FEET TO A POINT ON THE SOUTH LINE OF WEST NORTH AVENUE A PUBLIC STREET OF RECORD (A.K.A. COUNTY TRUNK HIGHWAY "M") AND THE POINT OF BEGINNING OF LANDS TO BE DESCRIBED; THENCE SOUTH 0°11'28" WEST ALONG THE SAID WEST LINE 616.88 FEET TO THE NORTHEAST CORNER OF THE PUBLIC SAFETY SITE; THENCE NORTH 89°27'03" WEST ALONG THE NORTH LINE OF THE PUBLIC SAFETY SITE 60.00 FEET TO A POINT; THENCE NORTH 0°11'28" EAST 616.93 FEET TO A POINT ON THE SOUTH LINE OF SAID WEST NORTH AVENUE; THENCE SOUTH 89°24'03" EAST ALONG THE SAID SOUTH LINE 60.00 FEET TO THE POINT OF BEGINNING.

SHEET 2 OF 2